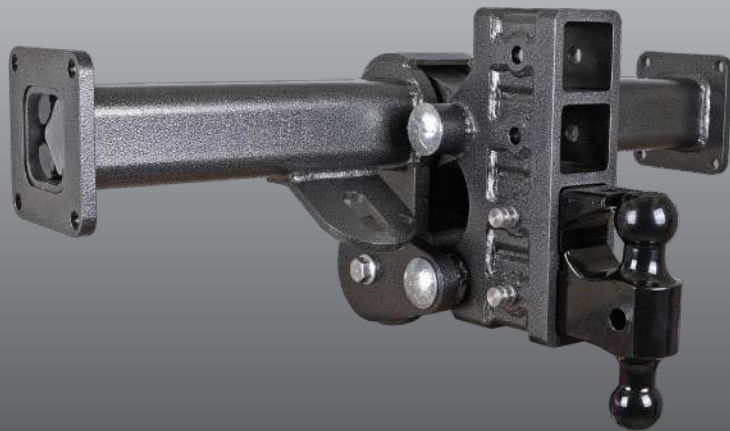


TRAVELLER

TORSION  FLEX

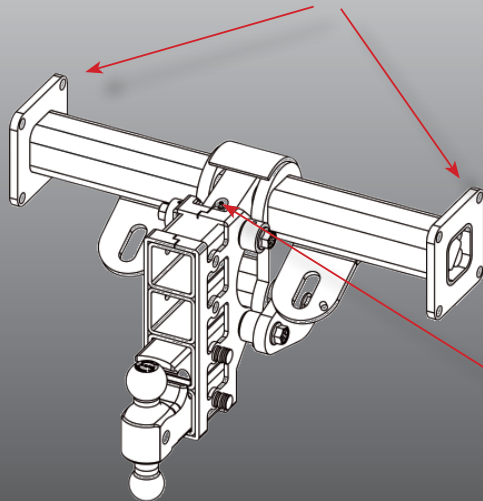


 GEN-Y HITCH®

Torsion Hitch USERS MANUAL

This product is protected by Patent # US9505281B1, USD773345S1, USD9868327B1

TORQUE FRAME BRACKETS TO 110 FT. LBS.



Grease Zerk

*Use marine grade grease and grease every 1,000 miles.

* GEN-Y Hitch shall NOT be held responsible for any or all "compatible parts or products" being used for towing with or around GEN-Y Hitch.

* GEN-Y Hitch products shall never be altered in any circumstances and will void any or all warranties if done so.