



Trailer Coupler User Guide



CONTRACTOR

TORSION  FLEX



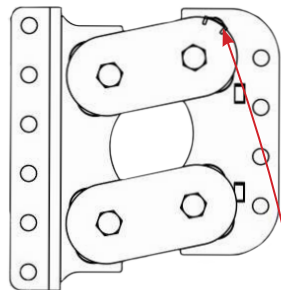


Torsion Hitch USERS GUIDE

This product is protected by Patent # US9505281B1, USD773345S1, USD9868327B1



SCAN ME!



Tongue Weight Scale

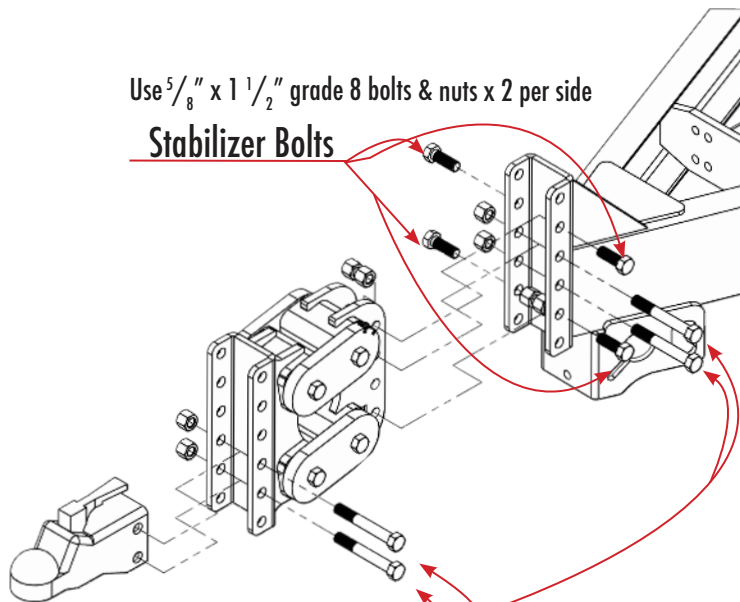


Max tongue weight

Min tongue weight

Use $5/8$ " x $1 1/2$ " grade 8 bolts & nuts x 2 per side

Stabilizer Bolts



Thru Bolts

Use $5/8$ " x $1 1/2$ " grade 8 bolts & nuts x 2 per side

Must have mounting bolts torqued to 120 Ft. lbs.

AVERAGE BREAK-IN PERIOD: 500 MILES.

* GEN-Y Hitch shall NOT be held responsible for any or all "compatible parts or products" being used for towing with or around GEN-Y Hitch.

* GEN-Y Hitch products shall never be altered in any circumstances and will void any or all warranties if done so.